



BROMIC
ECLIPSE
SMART-HEAT
PORTABLE

James Frost

Reimagine The Outdoors

The Eclipse Smart-Heat Portable is a powerful electric outdoor heater that brings radiant warmth, light and style to design-focused outdoor spaces. This portable electric outdoor heater incorporates ground-breaking heat transfer technologies that result in a high-efficiency outdoor heater and dimmable LED light unit with minimalist, yet striking design aesthetics.



Precise Control

Accurately adjust the heat output (0/33/66/100%) for complete control over the level of comfort.

Unique Design

Elegantly understated design that complements any design-focused outdoor environment.

Ceramic Screen

Spreads heat evenly across any area while minimizing light emission from the heating element.

Dimmable Light

Complete flexibility over the level of brightness for the right amount of ambiance.

Premium Construction

High quality, corrosion-resistant, double coated steel to ensure longevity of use and aesthetic appeal for years to come.

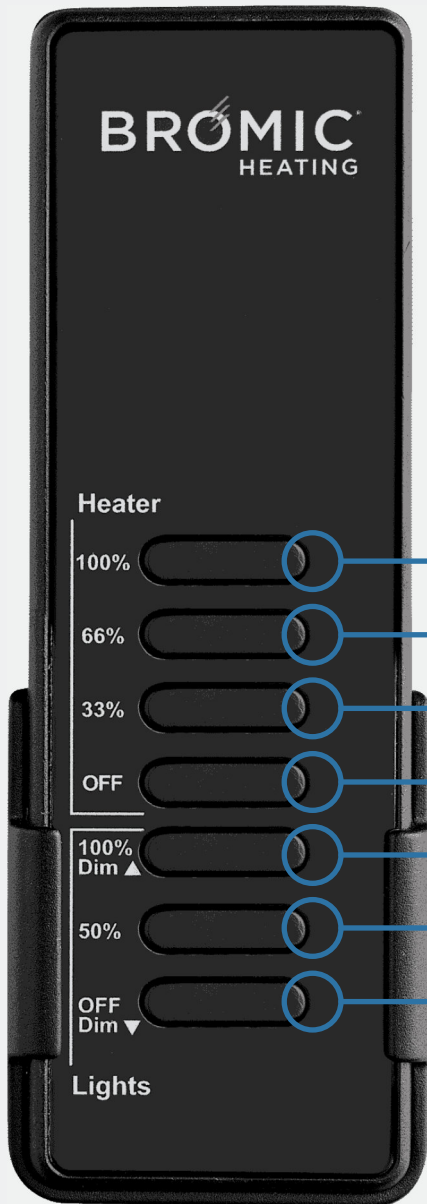
Flexibility Of Use

Stable base unit with wheels for easy maneuverability and flexibility over location.

BROMIC
HEATING

Controls

The Eclipse Smart-Heat Portable comes with the Eclipse Dimmer Controller and wireless remote, so you can quickly adjust both the heat output and gradually dim the lights to achieve the right level of comfort required for any situation.



Heater

100%

66%

33%

OFF

100%
Dim ▲

50%

OFF
Dim ▼

Lights

Heater 100% - Heater Output Full

Heater 66% - Heater Output At 66% Of Total

Heater 33% - Heater Output At 33% Of Total

Heater OFF - Heater Switched Off

Lights 100% (DIM ▲) - Light Output At Full Or Hold To Dim Up

Lights 50% - Light Output At 50% Of Total

Lights OFF (DIM ▼) - Lights Off Or Hold To Dim Down

Specifications

Model

Product Code	BH0820001-1
Price	\$4,886.00
Colour	Matte Black
Fuel Type	Electric (2900W)
Material (Heater Head)	Premium Coated 304 Stainless Steel
Material (Freestanding Frame)	Premium Double Coated Steel
Heat Area	121 ft ²
LED Colour	Warm White - Dimmable
LED Temperature	3000K
LED Lumens	216.6
Rated Current & Voltage	11.4 A (220V) / 11.8 A (230V) / 12.1 A (240V)
Minimum Floor Clearance (see page 5)	79"

Mounting Options

Freestanding



Control Options

Dimmer Remote	Included
Master Eclipse Remote*	BH3623002-1 (Optional)

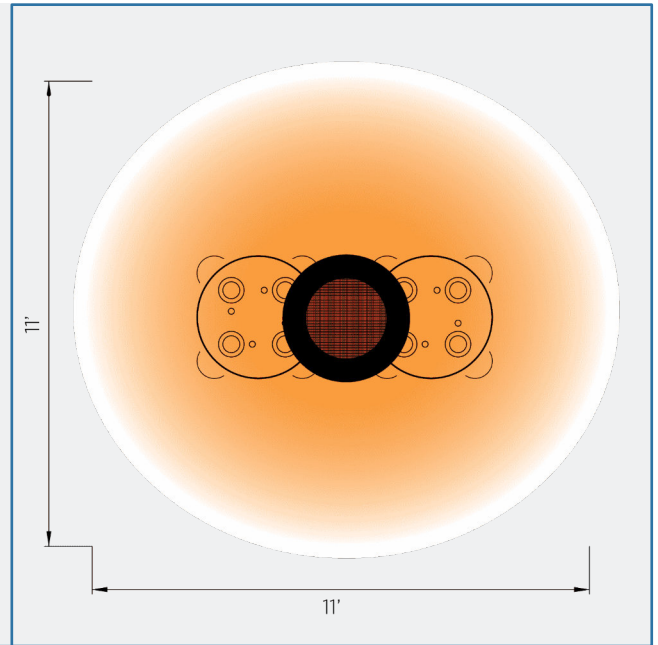
* Control up to six zones of heaters with unlimited heaters per zone from a single remote.

Clearances & Heat Reach

The Eclipse Smart Heat Portable is able to create ideal comfort levels and improve the ambiance of any outdoor space.

Measurements displayed within this catalogue are minimum requirements for installation.

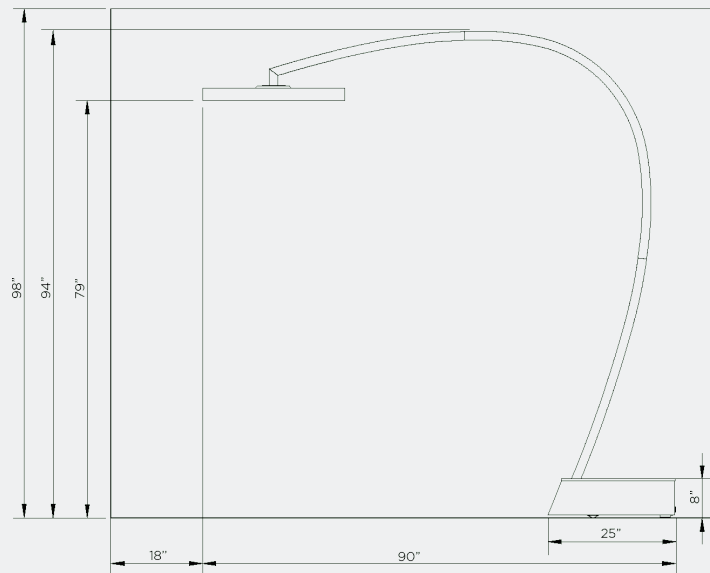
All measurements in this catalogue are displayed in inches.



FRONT VIEW



CEILING & WALL CLEARANCE





James Frost

Address

105-123 Avenue B South
Saskatoon, Saskatchewan
S7M 5X6, Canada

Phone

Free Toll : 888-233-4550
Phone : 306-500-7053

Online

Email : sales@jamesfrost.com
Website : www.jamesfrost.com